



FL512M8OESM263X5ST

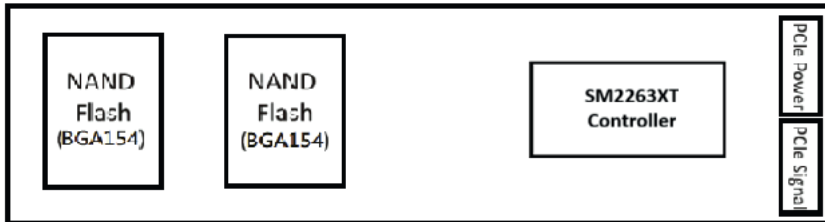
Foxline FL512M8OESM263X5ST is a PCIe Gen3 x4 interface Solid State Drive fully compliant with standard Next Generation Form Factor (NGFF) called M.2 Card Format. SSD density is 512GB based on SM2263XT Controller and two 256GB TLC BGA NAND components. Flash management functions includes SMART, TRIM, ECC and Bad Block Management. 100% tested and backed by limited lifetime warranty. RoHS Compliant and Halogen-Free.

SPECIFICATIONS

Part Number	FL512M8OESM263X5ST
Description	PCIe Gen3 x4 M.2 2280 512GB
Form Factor	M.2 2280 S2-M (Single Side)
Capacity	512GB
Technology	PCIe Gen3 x4
Baseline Performance	Data Transfer (CrystalDiskMark) : >1700 MB/s / >1400 MB/s
Read and Write	Maximum Random 4K Read / Write (QD=32) >180K>140K
Power Consumption	Power Voltage 3.3V : Read <4W, Write <4W, Idle PS3.35 mW
Total Bytes Written	250 TB
MTBF	1 500 000 hours
Weight	7 g
Warranty	Limited lifetime
Operative Temperature	0° C to +70° C
Storage Temperature	-40° C to +85° C

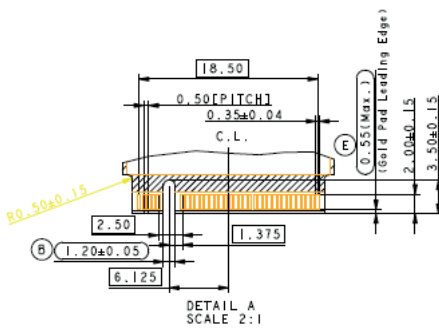
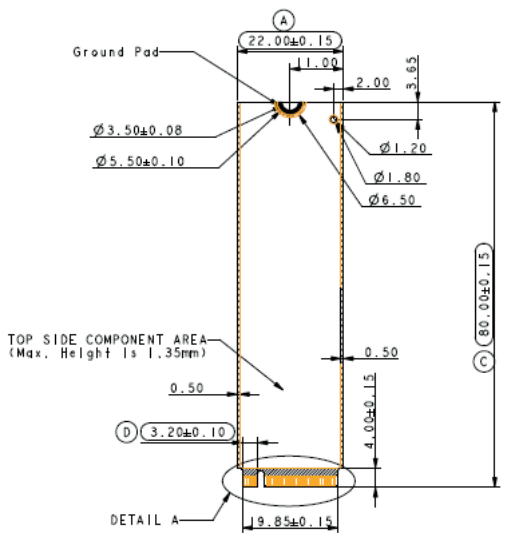


BLOCK DIAGRAM:



PHYSICAL DIMENSIONS:

TOP VIEW



BOTTOM VIEW

